



**BOOT KIT
50" MOWER**

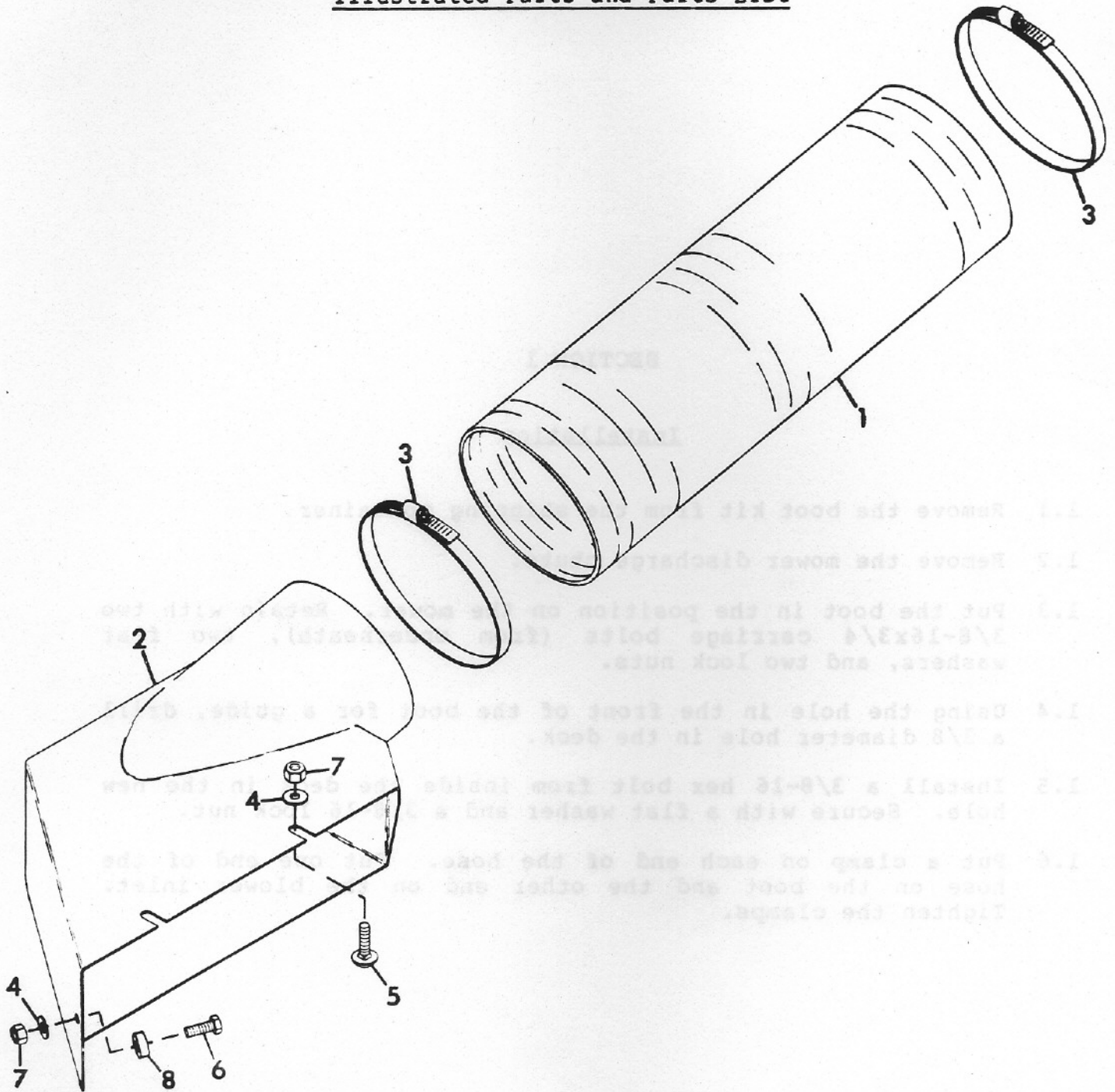
SECTION 1

Installation

- 1.1 Remove the boot kit from the shipping container.
- 1.2 Remove the mower discharge chute.
- 1.3 Put the boot in the position on the mower. Retain with two 3/8-16x3/4 carriage bolts (from underneath), two flat washers, and two lock nuts.
- 1.4 Using the hole in the front of the boot for a guide, drill a 3/8 diameter hole in the deck.
- 1.5 Install a 3/8-16 hex bolt from inside the deck in the new hole. Secure with a flat washer and a 3/8-16 lock nut.
- 1.6 Put a clamp on each end of the hose. Put one end of the hose on the boot and the other end on the blower inlet. Tighten the clamps.

DESCRIPTION	QTY.	PART NO.	ITEM NO.
Hose, Mower to Blower	1	41800	1
Chute, Discharge 22"	1	37840	2
Clamp	2	38992	3
Washer, Flat, 60x 81x.005	2	120394	4
Bolt, Carriage 3/8-16x.75	2	128237	5
Bolt, Hex 3/8-16x1.00	1	180122	6
Nut, Lock 3/8-16	2	456004	7

SECTION 2

Illustrated Parts and Parts List

ITEM NO.	PART NO.	QTY.	DESCRIPTION
1	41600	1	Hose, Mower to Blower
2	37840	1	Chute, Discharge 50"
3	36996	2	Clamp
4	120394	3	Washer, Flat .406x.812x.065
5	126227	2	Bolt, Carriage 3/8-16x.75
6	180122	1	Bolt, Hex 3/8-16x1.00
7	456004	3	Nut, Lock 3/8-16